



# TE's Raychem CABLE CLEATS

For Single, Trefoil And Dual/Quadrofoil  
Applications

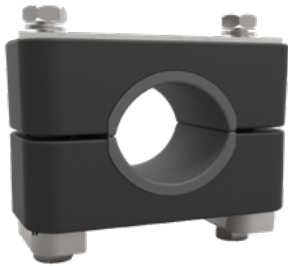
### ADVANCED CABLE CLAMPING SYSTEM FOR LOW, MEDIUM AND HIGH VOLTAGE APPLICATIONS

For more than 60 years, TE Connectivity (TE) has supported the delivery of power through well-known product lines like TE's Raychem in a wide array of industries, applications and environments. TE has a proven track record of advanced materials, technical innovation, reliable performance, ease of installation and technical support.

The TE's Raychem Cable Cleats are designed and tested according to IEC 61914 providing high resistance to electromechanical forces during short circuit conditions. The included stainless steel hardware and the self-extinguishing and UV stabilised materials result in outstanding performance even under harsh environments.

Our cable cleats are available also in stacked configuration to fit into tight spaces.

### PRODUCT FAMILY OVERVIEW



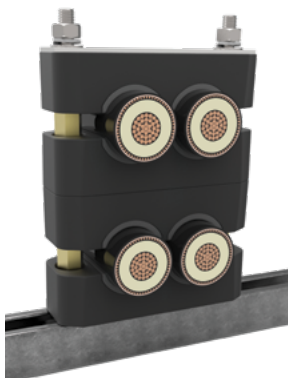
#### Single Cable Cleats

- Wide application range allows cable diameters up to 135 mm
- Flat mount version available for installations on a plate
- Ideal for applications with higher levels of short circuit



#### Trefoil Cable Cleats

- Application range from 26 mm to 80 mm
- Center hole at the base eases pole installation
- Stackable version available



#### Dual and Quadrofoil Cable Cleats

- Application range from 26 mm to 80 mm
- Stackable design optimizes space
- Available as dual or quadfoil/stacked version

### POWERING EXTRAORDINARY CUSTOMER EXPERIENCES

When you partner with TE Connectivity, you are getting more than reliable products. Our team can design tailor made schematics and specify technical details for custom cable cleats layout that suits your specific needs.

**ROBUST DESIGN FOR INCREASED CABLE PROTECTION**

**Single Cable Cleats**

Integral stainless steel clamping plates to ensure consistent clamping pressure on both sides

Range taking elastomeric inserts, minimise stock holdings, yet maximise performance

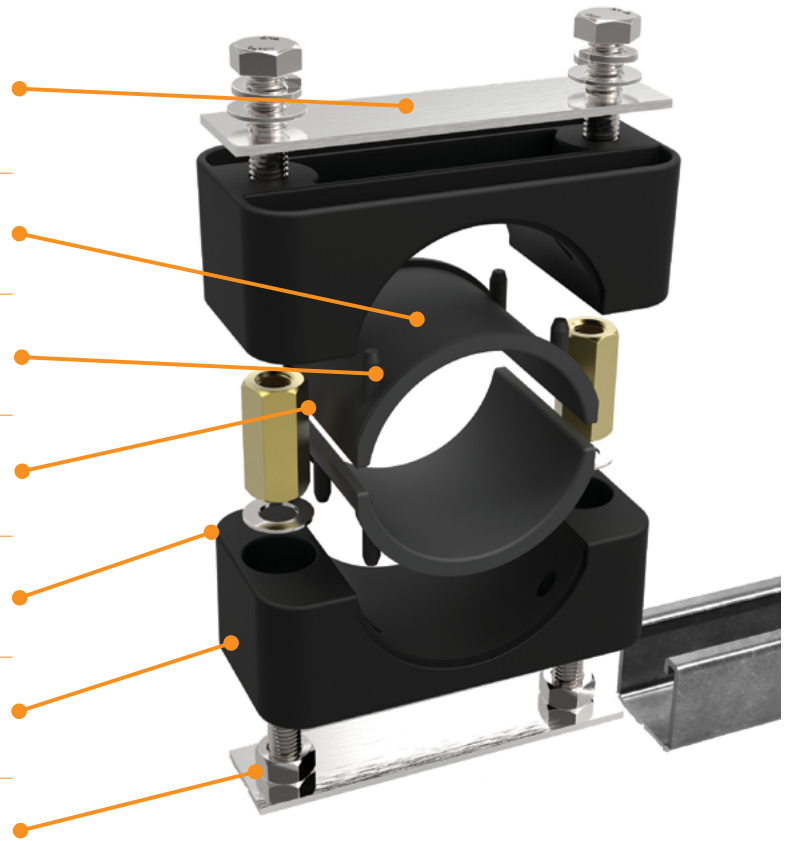
Range accepts cable diameters from 15 mm - 135 mm

Elastomeric inserts can accommodate round, oval or "tri-round" cable profiles

Bottom half of clamps can be mounted prior to cable fitment

Impact resistant, halogen-free and UV stabilised materials

Slider plate design maximises clamp performance when under shock load



**Trefoil Cable Cleats**

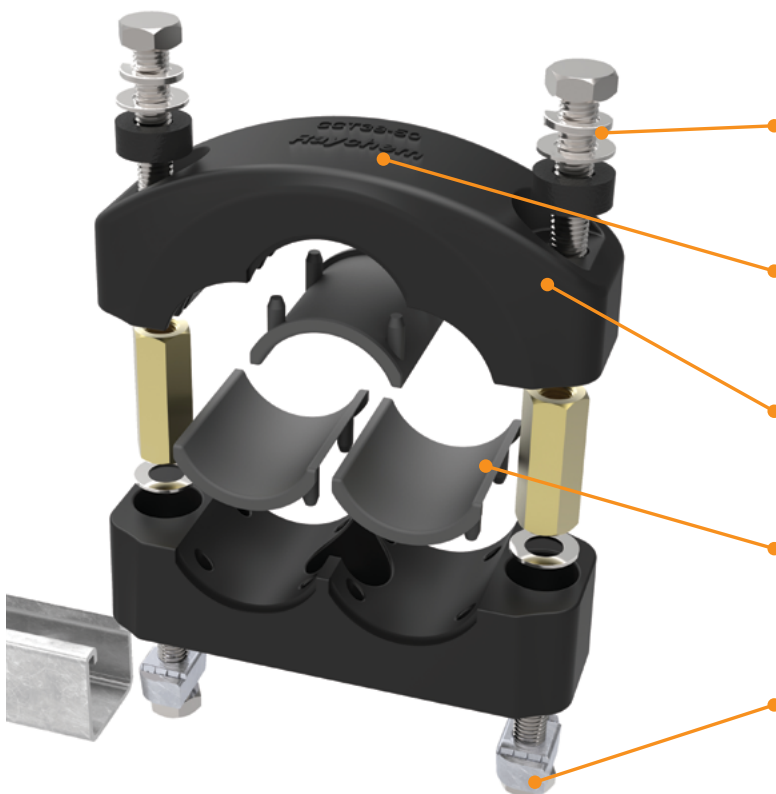
Optimised for harsh environments with stainless steel hardware

Easy product identification. Smooth aesthetics which improve overall strength while in operation

Self-extinguishing and UV stabilised polymer materials

Captive elastomeric inserts for increased cable protection and containment

Available in slider plate, strut nut and pole mount configurations



# TE's Raychem CABLE CLEATS

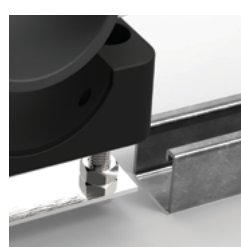
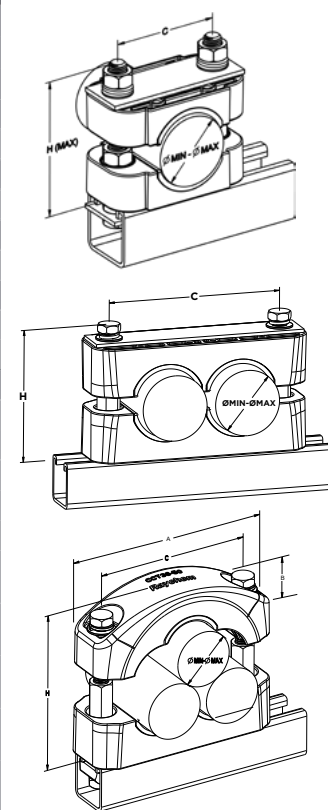
For Single, Trefoil And Dual/Quadrofoil Applications

## PRODUCT SELECTION INFORMATION - DIMENSIONS IN MM AND (INCHES)

Description	Min Cable Ø	Max Cable Ø	Width A	Depth B	Bolt Hole Ctrs C	Installed Height H - Max	Available Bolt Ø	Available Mounting
<b>Single Cable Cleats</b>								
CC15-26	15 (0.59)	26 (1.02)	90 (3.54)	60 (2.36)	60 (2.36)	75 (2.95)	M10, M12	SN, FM
CC26-38	26 (1.5)	38 (1.5)	90 (3.54)	60 (2.36)	60 (2.36)	75 (2.95)	M10, M12	SN, FM
CC38-50	38 (2.36)	50 (1.97)	104 (4.09)	60 (2.36)	75 (2.95)	100 (3.94)	M12	PL, SN, FM
CC50-60	50 (3.15)	60 (2.36)	133 (5.24)	60 (2.36)	100 (3.94)	130 (5.12)	M12	PL, SN, FM
CC60-70	60 (2.36)	70 (2.76)	146 (5.75)	70 (2.76)	114 (4.89)	155 (6.1)	M12	PL, SN, FM
CC68-81	68 (2.68)	81 (3.19)	146 (5.75)	70 (2.76)	114 (4.89)	155 (6.1)	M12	PL, SN, FM
CC80-92	80 (3.15)	92 (3.62)	176 (6.93)	75 (2.95)	142 (5.59)	155 (6.1)	M12	PL, SN, FM
CC92-106	92 (3.62)	106 (4.17)	176 (6.93)	75 (2.95)	142 (5.59)	155 (6.1)	M12	PL, SN, FM
CC106-120	106 (4.17)	120 (4.72)	210 (8.27)	95 (3.74)	176 (6.93)	188 (7.4)	M12	SN, FM
CC120-135	120 (4.72)	135 (5.32)	210 (8.27)	95 (3.74)	176 (6.93)	188 (7.4)	M12	SN, FM
<b>Dual Cable Cleats</b>								
CCD26-38	26 (1.02)	38 (1.5)	135 (5.31)	60 (2.36)	100 (3.94)	110 (4.33)	M12	SN
CCD38-50	38 (1.5)	50 (1.97)	170 (6.69)	60 (2.36)	138 (5.43)	115 (4.53)	M12	SN
CCD50-60	50 (1.97)	60 (2.36)	200 (7.87)	60 (2.36)	160 (6.3)	120 (4.72)	M12	SN
CCD60-70	60 (2.36)	70 (2.76)	240 (9.45)	70 (2.76)	200 (7.87)	140 (5.51)	M12	SN
CCD70-80	70 (2.76)	80 (3.15)	240 (9.45)	70 (2.76)	200 (7.87)	140 (5.51)	M12	SN
<b>Trefoil Cable Cleats</b>								
CCT26-38	26 (1.02)	38 (1.5)	135 (5.31)	60 (2.36)	100 (3.94)	116 (4.57)	M12	SN, PL, POLE, FM
CCT38-50	38 (1.5)	50 (1.97)	170 (6.69)	60 (2.36)	138 (5.43)	145 (5.71)	M12	SN, PL, POLE, FM
CCT50-60	50 (1.97)	60 (2.36)	200 (7.87)	60 (2.36)	160 (6.3)	164 (6.46)	M12	SN, PL, POLE, FM
CCT60-70	60 (2.36)	70 (2.76)	240 (9.45)	70 (2.76)	200 (7.87)	185 (7.28)	M12	SN, PL, POLE, FM
CCT70-80	70 (2.76)	80 (3.15)	240 (9.45)	70 (2.76)	200 (7.87)	185 (7.28)	M12	SN, PL, POLE, FM

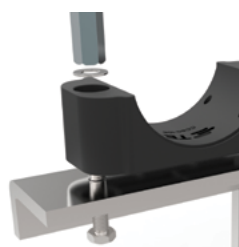
Also available in double/stacked configuration (-DOUB) and without hardware (-CLAMP-ONLY)

Example 1: CCD50-60-SN-M12-DOUB for a dual cable cleat in a stacked configuration (quadrofoil) with M12 bolts and Strut nut mounting.  
 Example 2: CCT50-60-M12-CLAMP-ONLY for single cable cleat for M12 bolts (not including hardware)



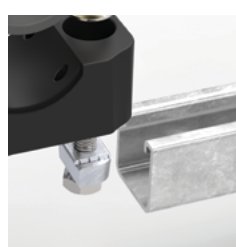
**SLIDER PLATE VERSION**

Used where access to the end of the mounting rail is achievable.



**FLAT MOUNT VERSION**

Used when installing on a mounting plate.



**STRUT NUT VERSION**

Used where access to the end of the mounting rail is not possible.



**POLE MOUNT VERSION**

Centre mounting hardware not provided.

[te.com/energy](http://te.com/energy)

©2018 TE Connectivity. All Rights Reserved. EPP-2211-12/18-EN

Raychem, TE Connectivity and the TE connectivity (logo) are trademarks of the TE Connectivity Ltd. family of companies. Other logos, product and Company names mentioned herein may be trademarks of their respective owners. While TE has made every reasonable effort to ensure the accuracy of the information in this brochure, TE does not guarantee that it is error-free, nor does TE make any other representation, warranty or guarantee that the information is accurate, correct, reliable or current. TE reserves the right to make any adjustments to the information contained herein at any time without notice. TE expressly disclaims all implied warranties regarding the information contained herein, including, but not limited to, any implied warranties of merchantability or fitness for a particular purpose. The dimensions in this brochure are for reference purposes only and are subject to change without notice. Specifications are subject to change without notice. Consult TE for the latest dimensions and design specifications.

### FOR MORE INFORMATION: TE Technical Support Centers

USA:	+ 1 800 327 6996
Canada:	+ 1 (905) 475-6222
Mexico:	+ 52 (0) 55-1106-0800
Latin/S. America:	+ 54 (0) 11-4733-2200
France:	+ 33 380 583 200
UK:	+ 44 0870 870 7500
Germany:	+ 49 896 089 903
Spain:	+ 34 916 630 400
Italy:	+ 39 333 250 0915
Benelux:	+ 32 16 508 695
Russia:	+ 7 495-790 790 2-200
China:	+ 86 (0) 400-820-6015